

THERMAL PRINTER

DATA BRIEF

Models XPR-TSP613



XPR-TSP613



(See chart on back of page for dimensions and ordering number.)

The new METTLER TOLEDO Xpress XPR-TSP613 thermal printer offers the latest technology advancements, with performance and features comparable to leading thermal products at an entry-level price. The XPR-TSP613 is the first low cost, high speed thermal printer to offer two color printing support, drop-in and print paper loading, LogoStore for internal graphics and coupon storage, plus recessed cable connectors. All of this packaged in a small footprint.

Using the optional RS-232 serial cable, the XPR-TSP613 works out-of-the-box with all METTLER TOLEDO Xpress scales that are equipped with a serial interface such as the floor scales or the standard crane scales.

■ APPLICATIONS

- Piece counting
- Inventory control
- Casino / Gaming
- Printing departments
- POS applications
- Shipping and receiving departments

■ STANDARD FEATURES

- Direct thermal printer
- RS-232 serial interface
- Power supply included
- High speed 2 color printing
- Easy load "drop-in and print" paper loading
- 100 mm/sec, 4 inches/sec, 25 or 33 lines/sec print speed
- 203 dpi (8 dots/mm) resolution
- 58 mm (2.25") - 80 mm (3.15") adjustable paper width



The XPR-TSP613 is also available as package with the METTLER TOLEDO Xpress XTC standard counting scale

■ OPTIONS/ACCESSORIES

- RS-232 Serial Cable
- TRF-80 Thermal Receipt Paper

PRINT SPEED

4" (100 mm) per second, 25 or 33 lines per second

PRINT WIDTH:

80 mm paper: 2.83" (72 mm)

58 mm paper: 2.05" (52 mm)

LINE SPACING:

3 mm, 4 mm (1/8", 1/6")

RESOLUTION:

203 dpi (8 dots/mm)

NUMBER OF COLUMNS:

80 mm paper: 24, 48 or optional 64 (ESC/POS)

58 mm paper: 17, 34 or optional 46 (ESC/POS)

PAPER THICKNESS:

0.002" to 0.003" (0.065 mm to 0.085 mm)

ROLL DIAMETER:

3.5" (90 mm)

PAPER LOADING:

"Drop-in and print" and external rear feed

PAPER SENSORS:

Near end, paper out, cover open

PRINTER RELIABILITY:

60 million lines MCBF (CRT)

DATA BUFFER:

8K bytes

EMULATION:

Star line mode, ESC/POSTM (TM-U295/TM290)

CASH DRAWER:

Two drivers and one compulsion sensor

OPERATING TEMPERATURE:

41°F to 113°F (5°C to 45°C)

HUMIDITY:

10% to 90% RH (w/out condensation)

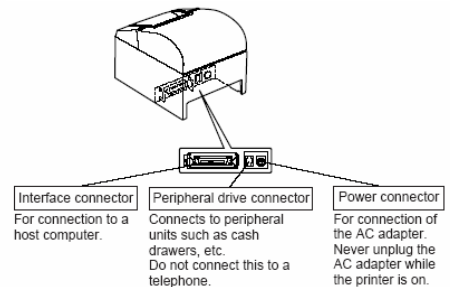
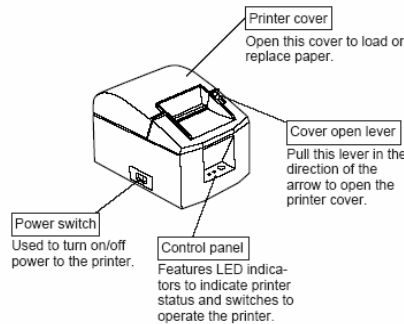
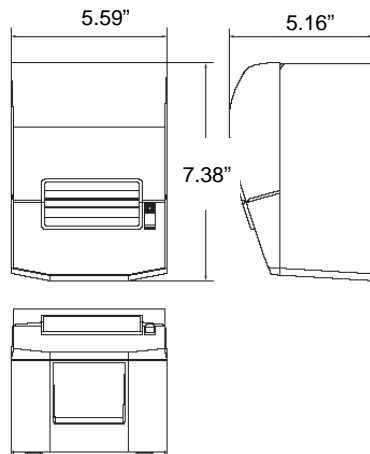
OVERALL DIMENSIONS:

5.59" W x 5.16" H x 7.83" D

(142 mm W x 131 mm H x 199 mm D)

APPROVALS:

UL & C-UL listed, FCC



XPR-TSP613

XPR THERMAL PRINTERS

| Item # | Model | Description | Shipping Information | | | |
|-----------|------------|--|----------------------|-------|-------|---------|
| | | | L ["] | W ["] | H ["] | WT [lb] |
| 085318020 | XPR-TSP613 | Direct Thermal Printer /w power supply | 16 | 12 | 12 | 6 |